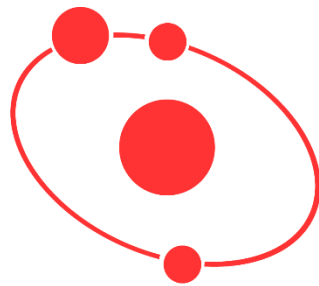


**AMPERE**  **EV**



**ATOM**  
DRIVE SYSTEM

OVARTECH CAD662DF400 EV ON-BOARD  
CHARGER +DC-DC CONVERTER

Ampere EV



# CONTENTS

---

Main Features .....	3
Dimensions .....	4
Input Connector Description.....	5
High Voltage Output Connector Description .....	5
Low Voltage Output Connector Description.....	6
Signal Connector Description.....	6



## Main Features

The Ampere EV Atom Drive System is designed to work the first time, every time. To help maintain this to be true, the Atom Drive System utilizes the Ovartech EV on-board charger. This component is a combination high-frequency battery charger and DC/DC converter in one package. Supporting intelligent charging modes, this design saves space, weight, and cabling, thereby minimizing space needed inside the vehicle.



### Key Features

Universal AC input range

Input/output protection

Intelligent charging modes

Customized CAN communication protocol

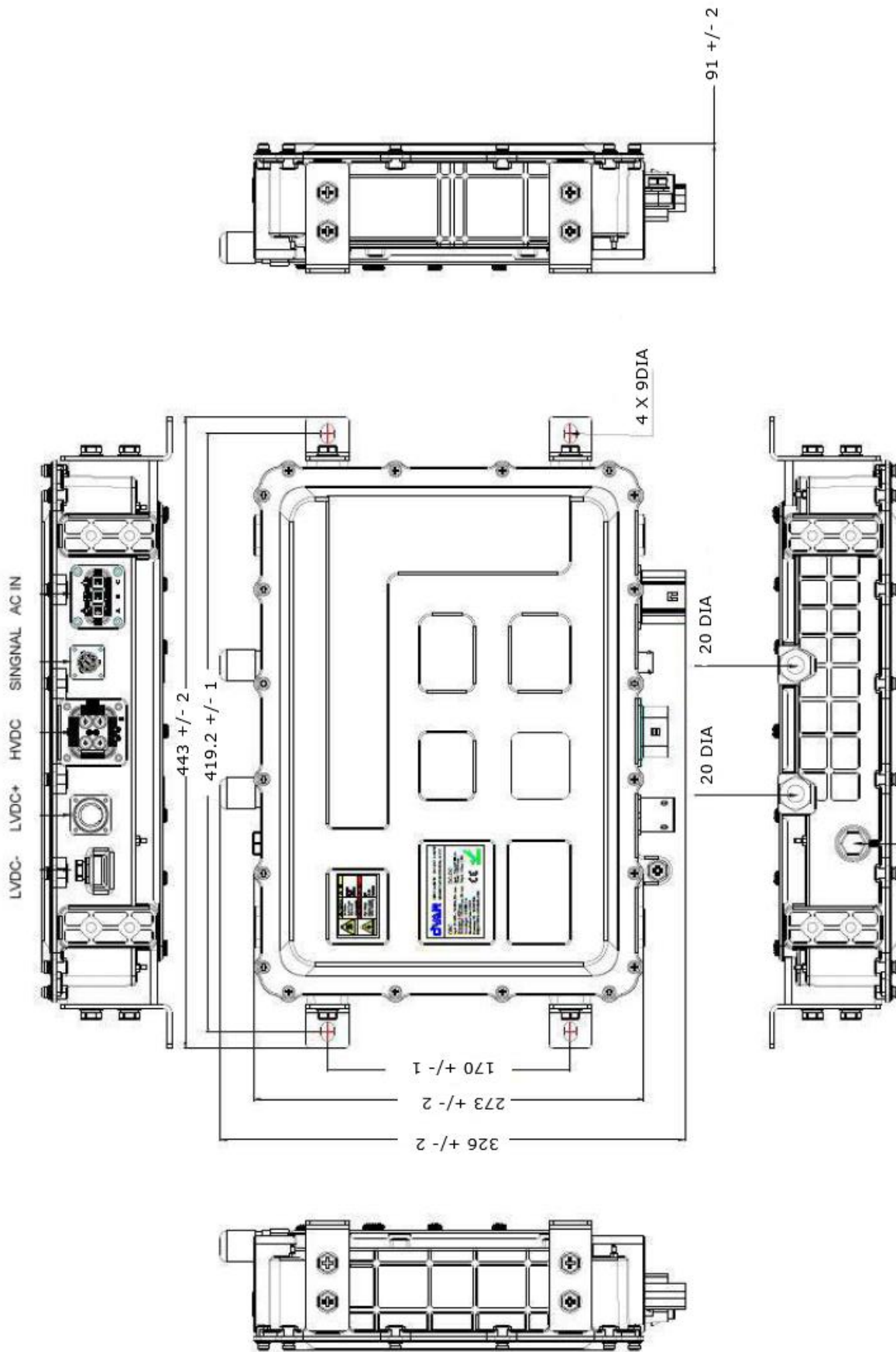
250/500 Kbs communication rate

Liquid cooled, IP67 enclosure

Main Spec.	OBC	DC-DC
Input Voltage	85-265Vac	200-420VDC
Output Voltage	200-420VDC	13.5VDC
Output Current	0-20A	0-180A
Noise (mVp-p)	<2%	300



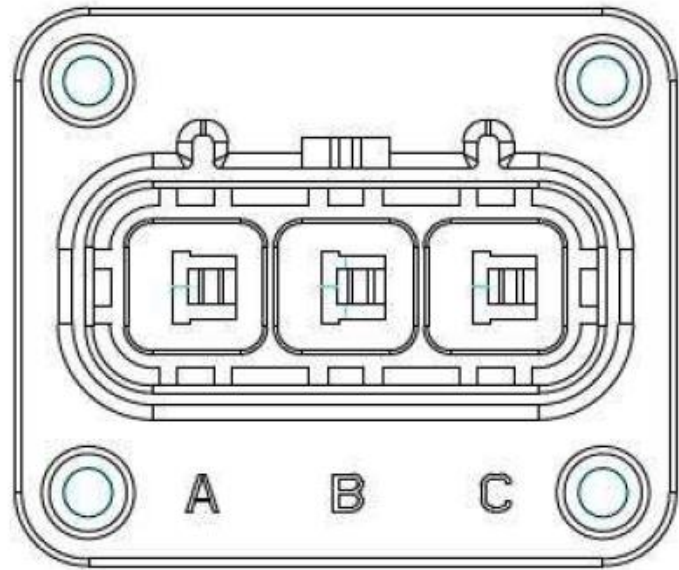
# Dimensions





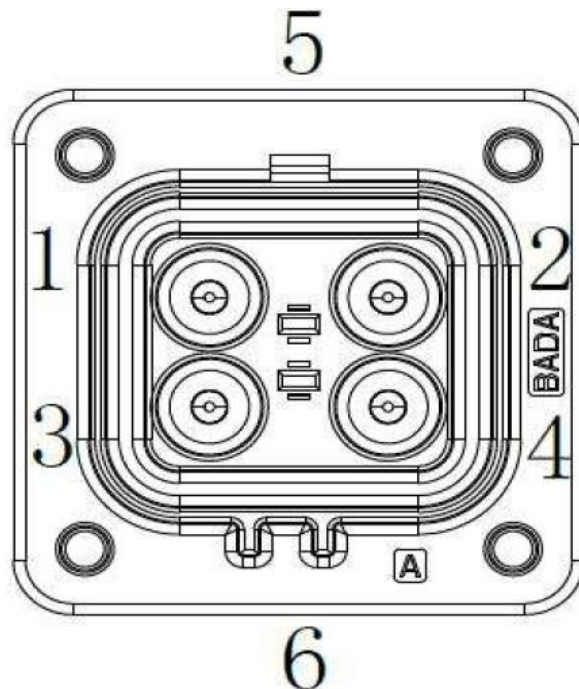
## Input Connector Description

PIN NO.	NAME
A	N
B	PE
C	L



## High Voltage Output Connector Description

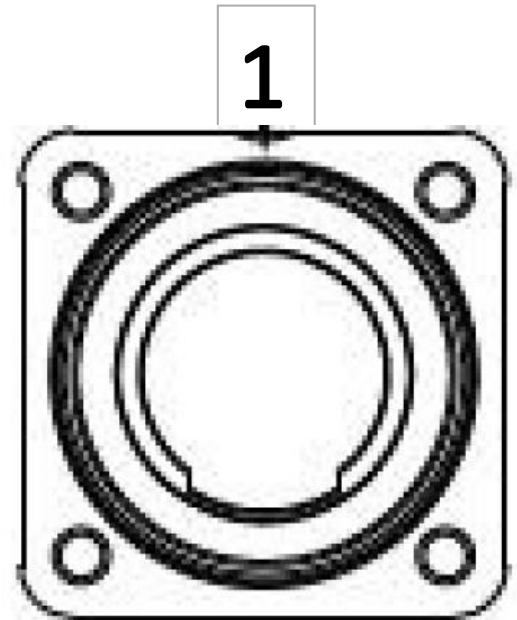
PIN NO.	NAME
1	OBC OUT +
2	OBC OUT -
3	DC-DC IN+
4	DC-DC IN-
5	INTERLOCK
6	INTERLOCK





## Low Voltage Output Connector Description

PIN NO.	NAME
1	OUTPUT +



## Signal Connector Description

PIN NO.	NAME
A	CAN L
B	CAN H
C	CAN GND-
D	13.8V+
E	13.8V-
F	ENABLE 12V

